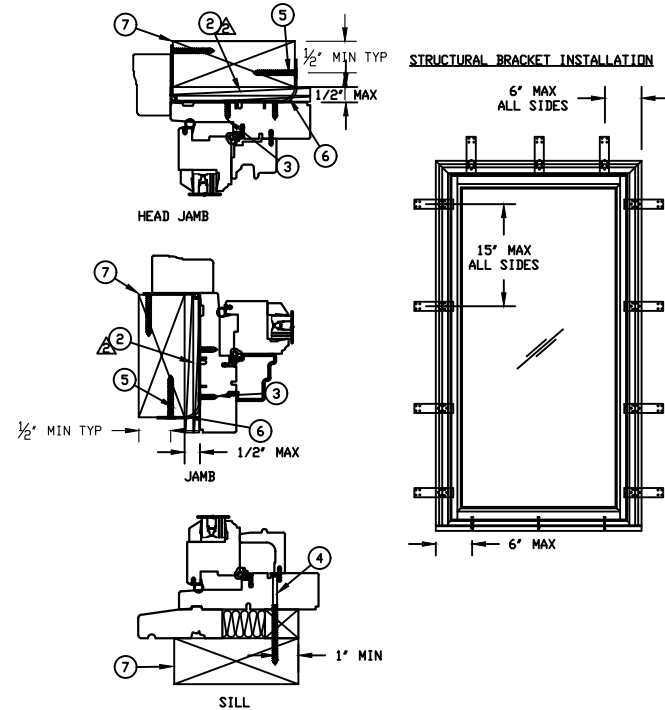
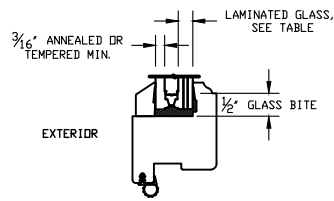


**JAMB SCREW INSTALLATION METHOD:**  
 - UNIT MUST NOT BE IN DIRECT CONTACT WITH EITHER CONCRETE OR TREATED BUCK MATERIAL. IF SHIM SPACE IS LESS THAN 1/8" WRAPPING THE UNIT ON ALL 4 SIDES WITH WINDOW FLASHING TAPE IS REQUIRED AS A BARRIER BETWEEN THE UNIT AND CONCRETE OR TREATED LUMBER.  
 - SECURE JAMBS AND HEAD JAMBS WITH #8 X 3" SCREWS.  
 - SECURE THE SILL WITH #8 X 3 1/2" SCREWS.  
 - SHIM AT EACH SCREW LOCATION.

**TYPICAL GLAZING DETAIL**



**STRUCTURAL BRACKET INSTALLATION METHOD:**  
 - UNIT MUST NOT BE IN DIRECT CONTACT WITH EITHER CONCRETE OR TREATED BUCK MATERIAL. IF SHIM SPACE IS LESS THAN 1/8" WRAPPING THE UNIT ON ALL 4 SIDES WITH WINDOW FLASHING TAPE IS REQUIRED AS A BARRIER BETWEEN THE UNIT AND CONCRETE OR TREATED LUMBER.  
 - ATTACH TO THE UNIT WITH TWO #8 X 5/8" SCREWS.  
 - ATTACH TO THE BUCK WITH TWO #8 X 1 1/2" SCREWS ON EACH SIDE OF THE BUCK.  
 - SCREWS MUST HAVE FULL EMBEDMENT.

UNIT	MAX FRAME SIZE	DP RATING	GLASS OPTION
UL WD CSMNT IZ3	36 X 84 1/16	+65/-65	TYPE A
UL WD CSMNT IZ3	36 X 96 1/16	+65/-65	TYPE B
UL WD CSMNT STAT IZ3	36 X 84-1/16	+65/-65	TYPE A

TYPE	LAMINATED GLASS MAKE UP
A	3.0mm (.122") ANN + .090KURARAY PVB + 3.0mm (.122") ANN
B	2.7mm (.11") ANN + .090KURARAY SGP + 2.7mm (.11") ANN

- NOTES:**  
 1. THIS PRINT IS FOR STRUCTURAL PERFORMANCE ONLY. FOR FLASHING & SEALING INSTRUCTIONS, REFER TO THE INSTALLATION INSTRUCTIONS.  
 SHIMS  
 - PLACE A SHIM WITHIN 4-6 INCHES OF EACH CORNER AND SPACE ALL OTHERS EVENLY A MAXIMUM OF 15" APART.  
 3. IF CHEMICALLY TREATED LUMBER IS USED FOR BUCK MATERIAL, FASTENERS INTO THE BUCK MUST BE A MINIMUM OF 0.90 OZ/FT<sup>2</sup> ZINC HOT DIPPED GALVANIZED OR STAINLESS STEEL TYPE 304 OR 316.

ITEM NO	REF NO	DESCRIPTION
7	-----	WOOD BUCK BY OTHERS
6	-----	STRUCTURAL BRACKET
5	-----	1 1/2" SHEETMETAL SCREW
4	-----	#8 X 3.500 WOOD SCREW
3	-----	#8 X .625 SCREW
2	-----	SHIM
1	-----	#8 X 3.000 WOOD SCREW

**CATEGORY:**  
CASEMENT

**UNIT TYPE:**  
UWCA IZ3, UWCA STAT IZ3

**UNSPECIFIED TOLERANCES**

DECIMALS: XX ± .03 XXX ± .012	ANGLE DEG: ± .5
LINEAL: + .125 - .000	FAB LINEAL: ± NA
MATERIAL: NA	

**MARVIN** RESEARCH & DEVELOPMENT

COLLECTION: ULTIMATE

DWG TYPE: INSTALLATION  
DESCRIPTION: INSTALLATION

CHK:	SIZE: B	CLASS: MISC	DWG NO: 00065800
APP:	SCALE: NA	DATE: 10/21/09	DWG BY: BORNEMAN, SKIP

SHEET: 1 OF 1